

# ER-148

19" headend equipment rack - 48" height

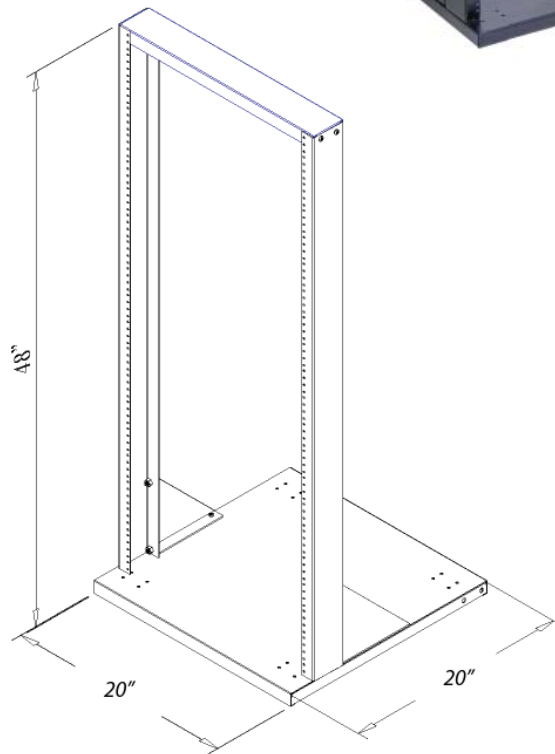
## Product Features:

- rail height - 48"
- EIA compliant
- 27 rack spaces
- standard 10 - 32 threading
- includes 32 rack screws
- steel construction
- black static resistant powder coat finish

## Product Specifications:

*(for Architects & Engineers)*

The headend equipment rack shall be the Video Mount Products (VMP) model ER-148. The rack shall be capable of accommodating standard 19" racking equipment. The rack channels shall be tapped with 10-32 holes in universal E.I.A. spacing. The rack shall have 27 rack spaces. The rack shall include 32 rack screws. The rack shall be painted with a durable black powder coat finish.



## Video Mount Products

325 Log Canoe Circle  
Stevensville, MD 21666

Phone: 410.643.6390

Fax: 410.643.6615

[www.videomount.com](http://www.videomount.com)

