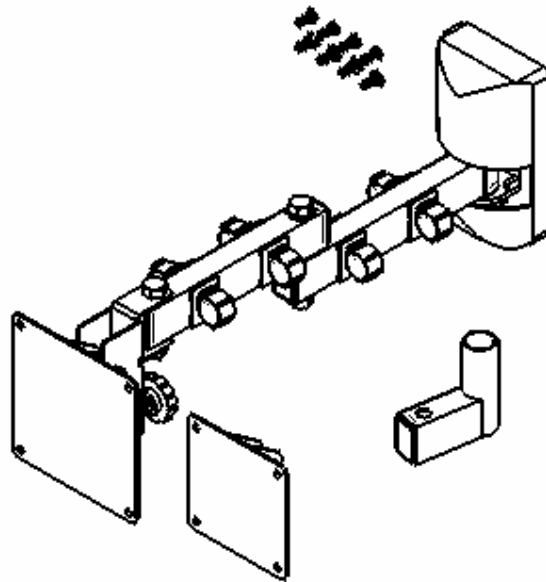


VMP

VIDEO MOUNT PRODUCTS

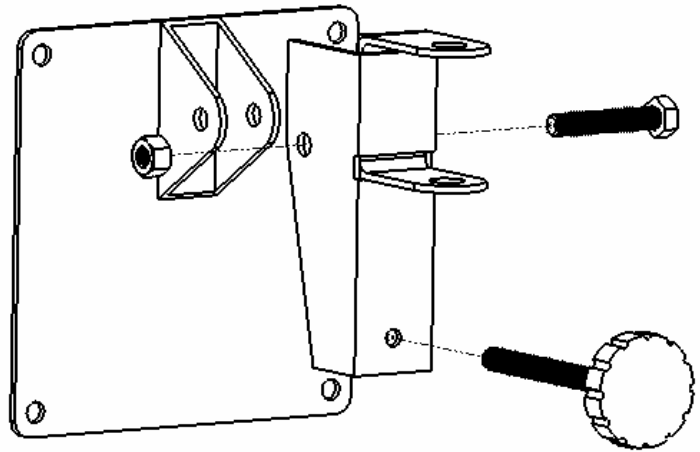
325 Log Canoe Circle • Stevensville MD 21666 • www.videomount.com
Phone: 410.643.6390 • Fax: 410.643.6615

LCD-1



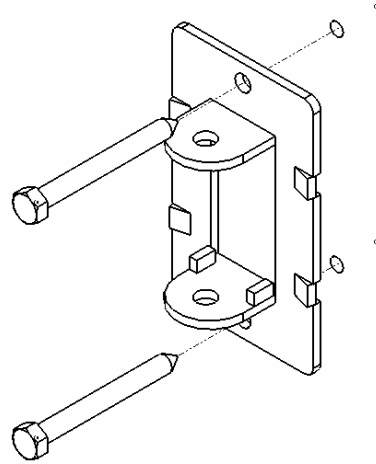
1. Before starting lay out all parts to your mount and match them to the parts list provided. Verify that you have all your parts before attempting to assemble the mount.

2. Next determine which VESA standard plate you will be using (#5A or #5B) (75mm or 100mm respectively) and attach the selected mounting plate (#5A or #5B) to the monitor to the swivel bracket (#4) using the M6 screw that's about 1.4 inches long (#12) and the nylon nut (#13). Insert adjustable screw (#10) for use when tilting the monitor. (Set this assembly safely to the side for now.)



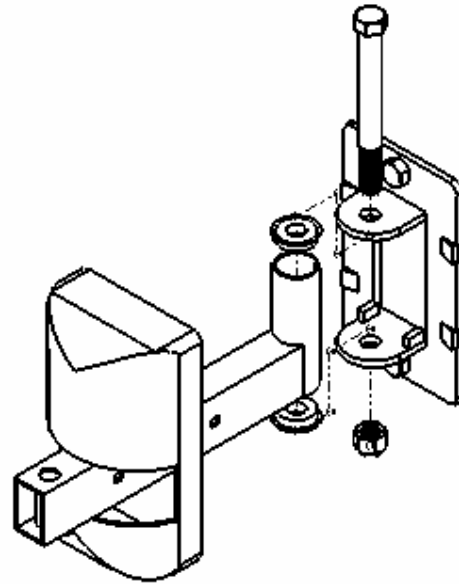
Step 2 : Assembling the Pivot Bracket

3. Mark the wall or desired mounting surface in preparation of installation of wall mounting plate (#1). Pre-drill if necessary and mount wall plate (#1) to desired surface. Mount wall plate with small welded rotation stoppers to the bottom of the plate. **Warning: Please verify that your mounting surface will support the combined weight of your mount, mounting hardware, and monitor. Also verify that the mounting surface is safe to drill through. If in doubt about either please contact a professional installer.**



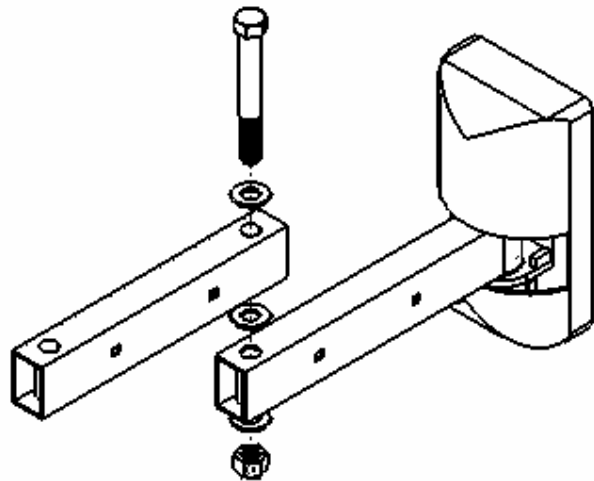
Step 3 : Attaching the wall plate to the wall. (Note: Lag Screws are not included)

4. Next determine which arm configuration you desire (double arm, single arm, or near flush) and locate the correct arms. (#8 for near flush, #2 for single arm, and #2 and #3 for double arm.) Attach the desired wall arm (#2 or #8) to the wall plate (#1) using the end plugs (#18), 3/8" screw that's about 3.8" long (#17), and nylon nut (#11). Snap the plastic cover (#6) onto the wall plate (#1).



Step 4 : Attaching the rear force arm to the wall plate.

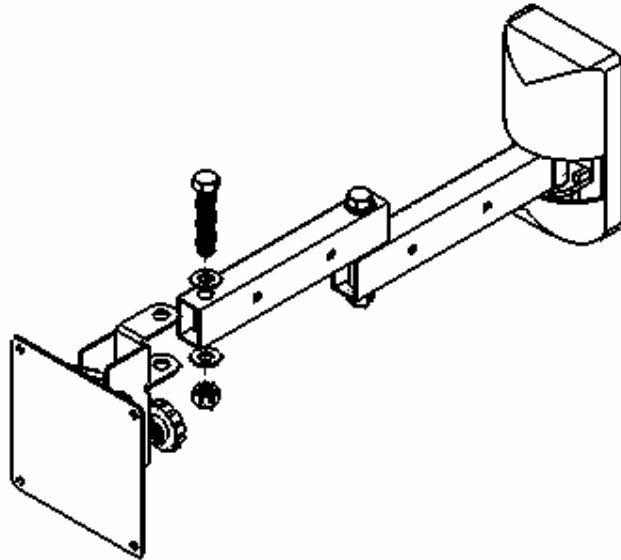
5. *If your application calls for the double arm configuration*, attach the front force arm (#3) to the rear force arm (#2) using the metal pin (#16) washers (#15) and the nylon nut (#11). *If your application calls for the single arm or flush mount configuration* proceed to the next step.



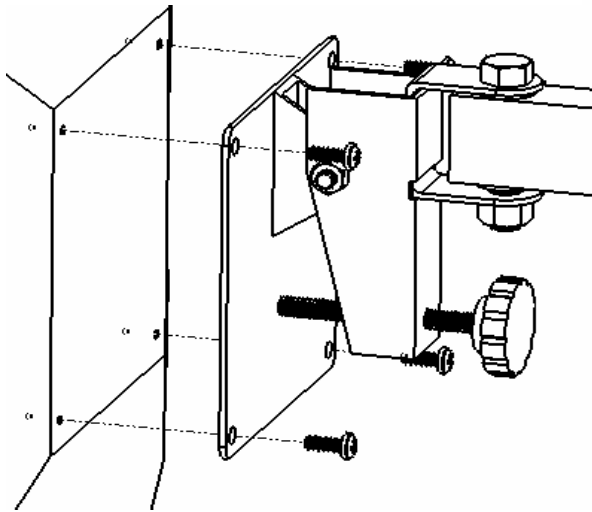
Step 5: Attaching the front force arm to the rear force arm.

6. Attach the swivel bracket (#4) to the appropriate force arm (#2, #3, or #8 depending on your application) using a 3/8" screw that's 2" long (#14), washers (#15), and nylon nut (#11).

7. Attach the mounting plate (#5A or #5B) to your LCD monitor using the M4 or M5 screws (#19 or #20) as appropriate.

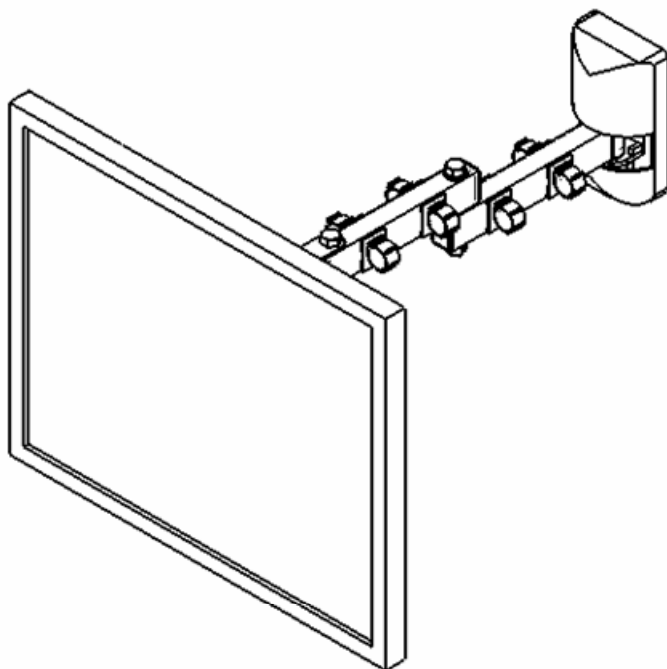


Step 6 : Attaching the swivel bracket to the front force arm.



Step 7 : Attaching the monitor to the mounting plate

8. Insert end plugs (#9) into the force arms used by your application. Insert the cable clips (#7) by pushing the arrow ends into the square holes in the force arms. Please verify that all nuts and screws are securely.



Enjoy your mount!

WARNING: *The installer of these products must verify that the mounting surface, ceiling or wall, will safely support the combined weight of all attached equipment and hardware. Video Mount Products will not be held liable for the improper use or installation of its products.*