

# V24 product information sheet

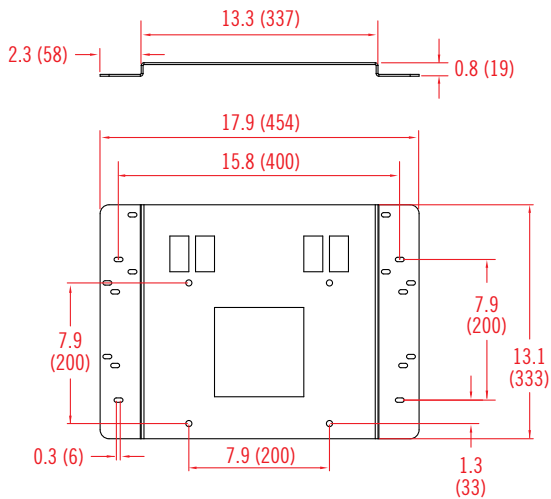
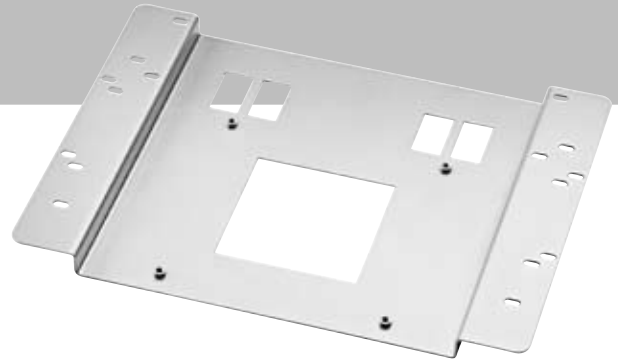


## Product Description

The V24 is a medium flat panel mount adapter plate that expands VESA compliance to 200x400.

## Product Specifications/ Benefits

- Adapter plate attaches to VESA 200x200 mount head
- Expands VESA compliance to 200x400
- Weight capacity contingent on mount
- Available in Platinum



inches (mm)

	Stock Code	Packaging UPC	MC UPC
Americas	1003380-1	728901019159	728901712555
International	NA	NA	NA

	Dimensions WxDxH inches (mm)	Wt lbs (kg)
Product Box	18.1 x 13.4 x 1.3 (460x340x33)	7.9 (3.6)
Master Carton	19 x 14.1 x 3.5 (483 x 359 x 89)	16.8 (7.6)

Box Contents	Qty
Adapter plate	1
Complete hardware kit	1
Instruction manual	1