

VMP
VIDEO MOUNT PRODUCTS

Information and designs contained in this drawing are the proprietary property of Video Mount Products (VMP). None of the design or any information contained in this drawing may be reproduced or disclosed to others without prior written consent of Video Mount Products (VMP).

Title:

LCD-1 Double Arm

SIZE

DWG. NO.

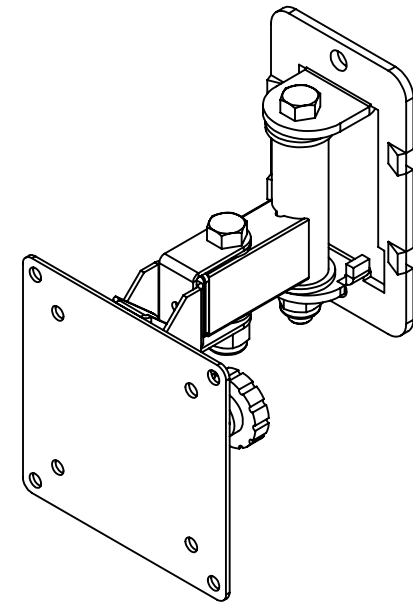
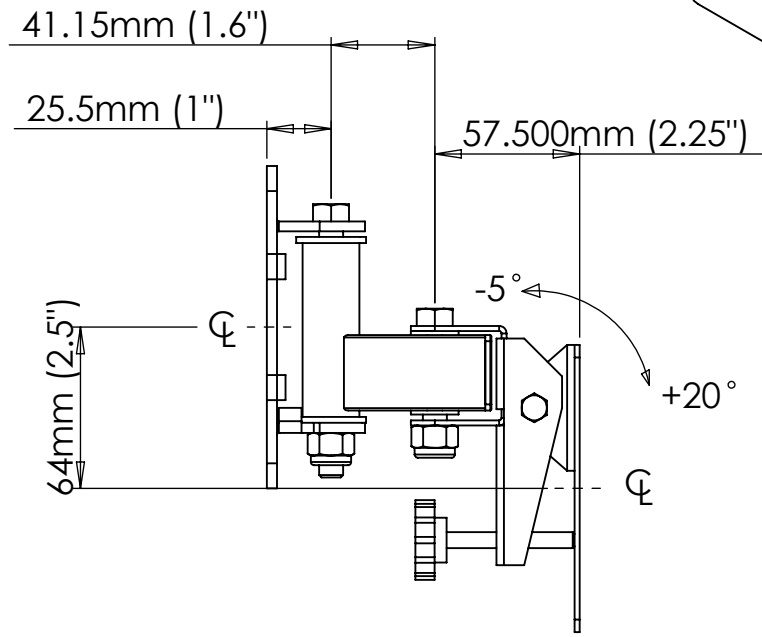
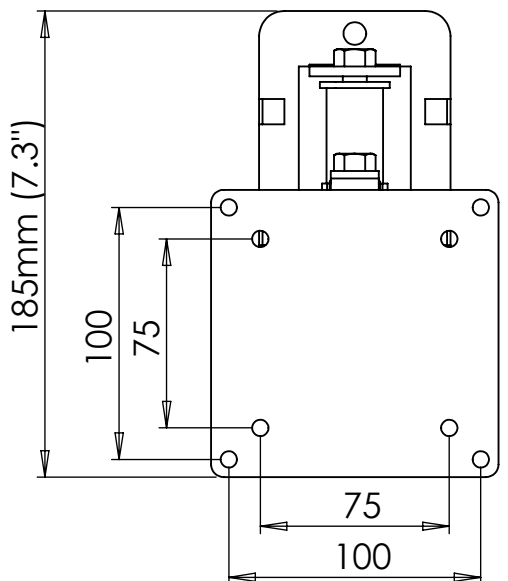
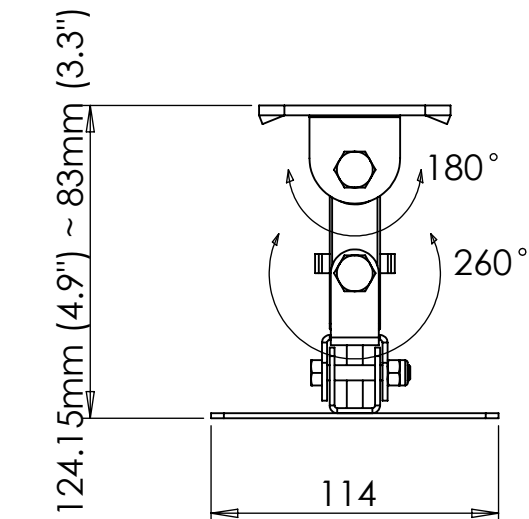
REV

A

SCALE: 1:5

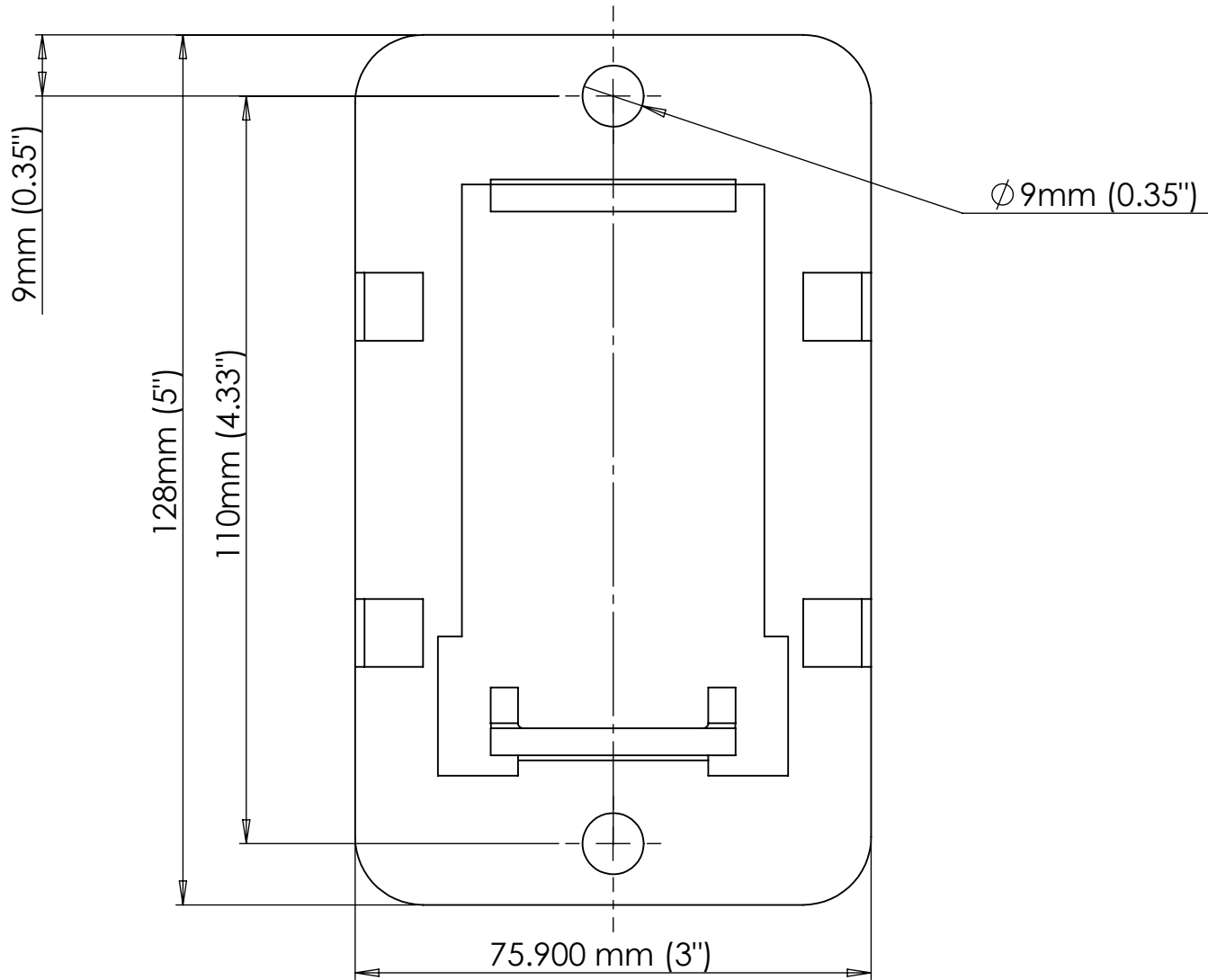
Unit: mm

SHEET 1 OF 3



Information and designs contained in this drawing are the proprietary property of Video Mount Products (VMP). None of the design or any information contained in this drawing may be reproduced or disclosed to others without prior written consent of Video Mount Products (VMP).

Title: LCD-1 Stub Arm		
SIZE A	DWG. NO.	REV
SCALE: 1:3	Unit: mm	SHEET 2 OF 3



VMP
VIDEO MOUNT PRODUCTS

Information and designs contained in this drawing are the proprietary property of Video Mount Products (VMP). None of the design or any information contained in this drawing may be reproduced or disclosed to others without prior written consent of Video Mount Products (VMP).

Title:		
LCD-1 Wall Plate		
SIZE	DWG. NO.	REV
A		
SCALE: 1:1	Unit: mm	SHEET 3 OF 3