

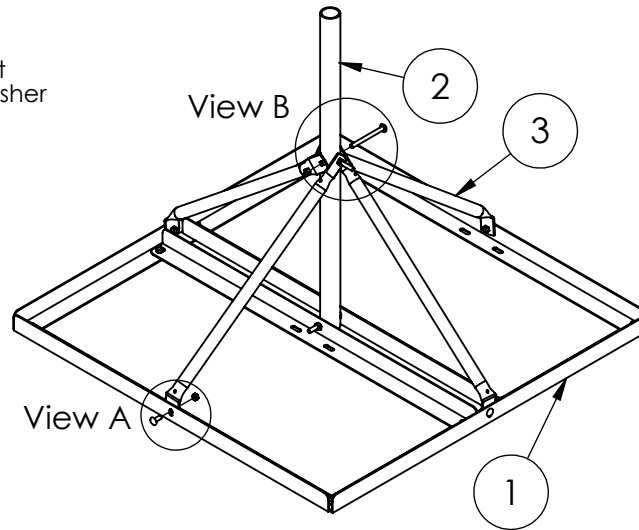
FRM-125	FRM166	FRM200	ITEM NO.	DESCRIPTION
6	6	6	1	Stand Bar
1			2	Support Tube 1.25" Dia x 1.2mm Thick 60" Long
	1		2	Support Tube 1.66" Dia x 3mm Thick 30" Long
		1	2	Support Tube 2" Dia x 1.5mm Thick 30" Long
4	4	4	3	Support Arm
3	3	3	4	Bolt 5/16" - 18UNC*L3-1/2"
15	15	15	6	Nut 5/16" - 18UNC
12	12	12	7	Bolt 5/16" - 18UNC*L3/4"

Prior To Installation Verify The Roof Materials And Supporting Structure Have Been Investigated And Are Capable Of Withstanding All Loads From The Proposed Antenna System. If Required, Verify That The Supporting Surfaces, Anchors, And/Or Safety Cables Meet Local, State, And Federal Guidelines.

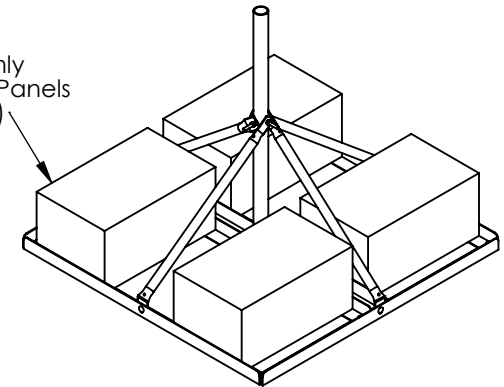
All Antenna Installations Must Be Grounded To Meet Codes.

Adequate Ballast Material Must Be Determined And Provided By Others To Prevent Overturning And Sliding At The Designed Wind Load. It Is Strongly Recommended That Ballast Material Be Placed Before Mounting The Antenna.

High Strength Bolts Are Provided, Nut Locking Is Dependent On Initial Tension In Bolt. Inspect Mount, Antenna And Tightness Of Nuts At Six Months Maximum Intervals.



Install Ballast Uniformly Distributed Over All Panels (Provided By Others)



Information and designs contained in this drawing are the proprietary property of Video Mount Products (VMP). None of the design or any information contained in this drawing may be reproduced or disclosed to others without prior written consent of Video Mount Products (VMP).

Title:		
FRM		
SIZE	DWG. NO.	REV
A		
SCALE: 1:15	Unit: mm	SHEET 1 OF 1