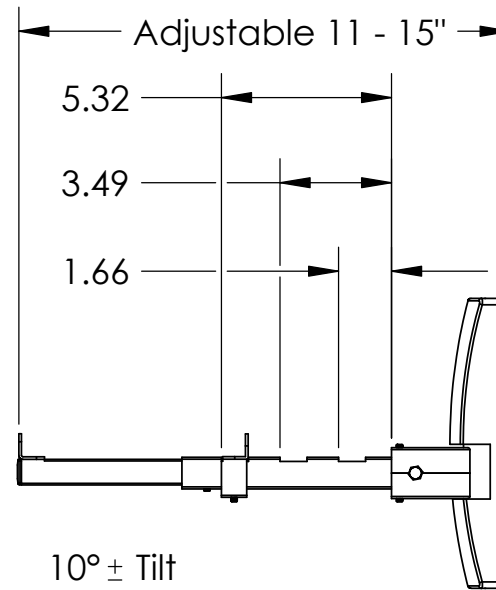
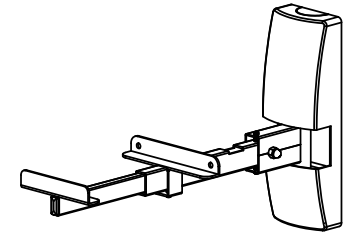


Maximum Speaker Capacity: 15lbs.



	NAME	DATE	SANUS SYSTEMS	
DRAWN	NAS	9/27/05		
CHECKED			TITLE: WMS2b	
ENG APPR.				
MFG APPR.				
Q.A.				
<p>PROPRIETARY AND CONFIDENTIAL</p> <p>THE INFORMATION CONTAINED IN THIS DRAWING IS THE SOLE PROPERTY OF SANUS SYSTEMS. ANY REPRODUCTION IN PART OR AS A WHOLE WITHOUT THE WRITTEN PERMISSION OF SANUS SYSTEMS IS PROHIBITED.</p>			Speaker Wall Mounts	
			SCALE: 1:4	SHEET 1 OF 1