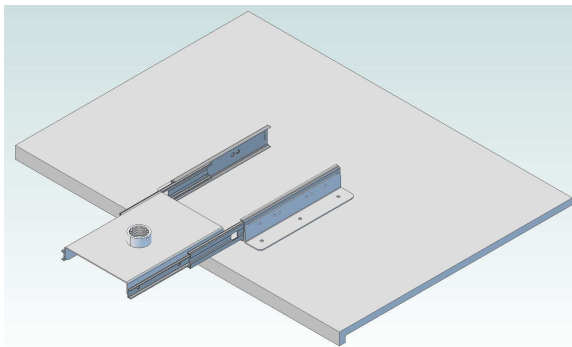


**Thank You for your purchase of an Expert Mount. The SL001 is designed to securely attach a Flat Panel LCD to a cabinet or an armoire. It will allow the ability to pull the TV out and swivel.**

**Safety Warning:** If you do not understand these directions, or have any doubts about the safety of the installation, please call a qualified contractor or contact Expert Mounts at 855.5MOUNTS or [www.ExpertMounts.com](http://www.ExpertMounts.com). Check carefully to make sure that there are no missing or defective parts. Our customer service representatives can quickly assist you with installation questions and missing or damaged parts. Replacement parts for products purchased through authorized dealers will be shipped directly to you. Never use defective parts. Improper installation may cause damage or serious injury. Do not use this product for any purpose that is not explicitly specified by Expert Mounts. Expert Mounts will not be liable for damage or injury caused by incorrect mounting, incorrect assembly, or incorrect use. Please call Expert Mounts before returning products to the point of purchase.

#### Step 1: Mounting the slide unit.



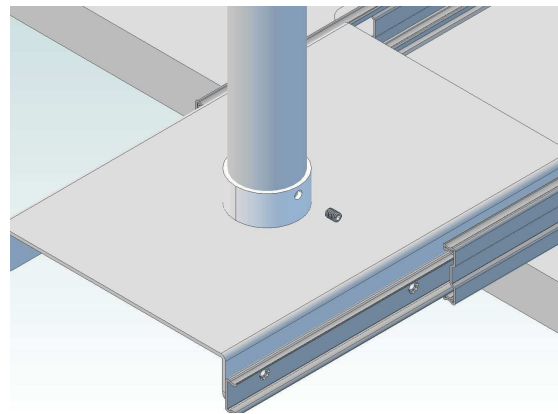
Properly align the slide unit to the desired location on the surface the SL001 is to be mounted on. Using a drill and a 1/4" drill bit, drill a hole in each location (6 total) in the Shelf. (Make sure each slide bracket is equal distance from the leading edge of the shelf)

Note: The front edge of the mounting bracket is even with the mounting surface for the TV. (For Example: If your TV is 3" thick and you want the recess the TV 1", you would need to start the mounting bracket 4" from shelf edge. If you

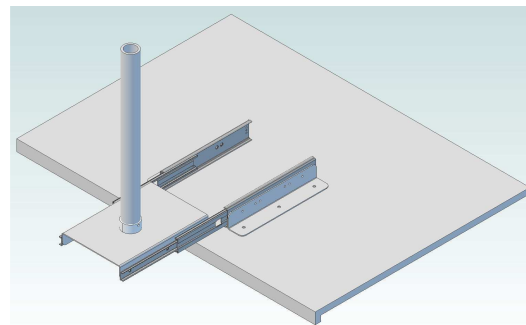
want the TV to be flush with the edge, set the mounting bracket back the same depth of the TV. If you want the TV to protrude 1" you would set the mounting bracket (3"-1" =2") 2" from the leading edge of the shelf.)

**WARNING: It is the responsibility of the installer to verify the surface the SL001 is mounted to is secured so that it will NOT tip forward when the television is pulled out into its extended position. The mounting surface must be capable of supporting the total weight of the television and the mount.**

#### Step 2: Installing the support pole



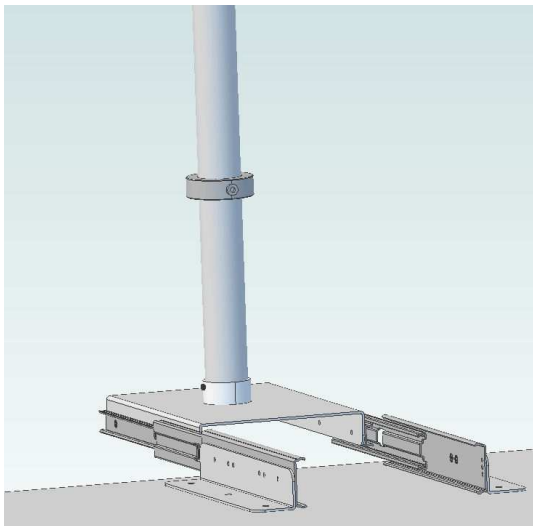
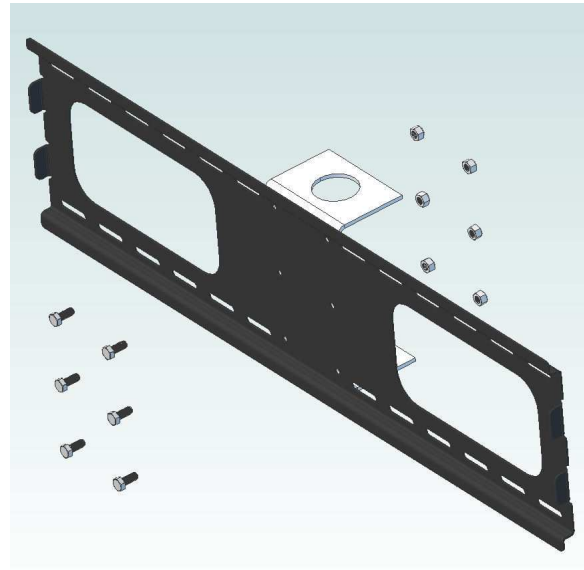
Thread the support pole into the female coupler on the top of the slide unit. The pole may not thread all the way into the coupler. Make sure that the pole is threaded far enough in so that the set screw comes in contact with the threaded portion of the pole.



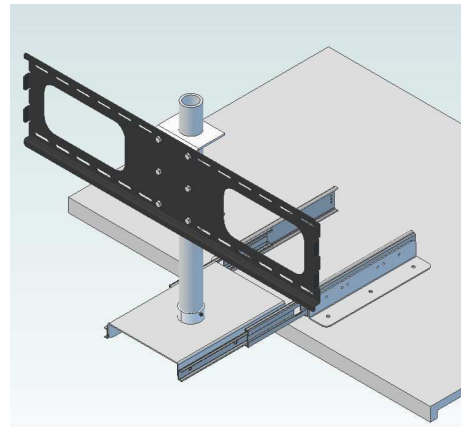
Install the supplied set screw to secure the support pole into place.

### Step 3: Attaching the Mounting bracket

Install the large set collar onto the support pole and adjust to the proper height. The height of the collar should be at a minimum height to allow the TV to properly swivel on the support pole. This height should be at a measurement of half the overall height of your TV minus 4 inches. Example if the overall height of your TV is 20", you should set the collar at a minimum height of 6" on the support pole from the slide unit surface. This will give you the proper clearance to allow the TV to swivel.



Slip the NPT Pipe adaptor on the support pole and allow it to rest on the set collar.

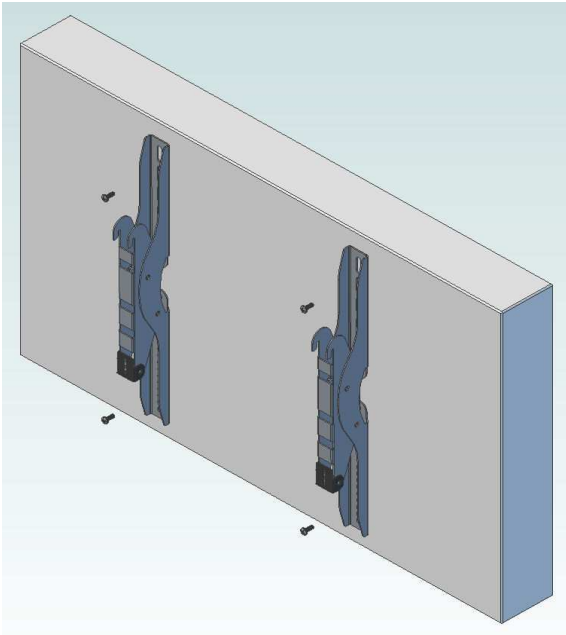


Next attach the "Wall Plate" to the NPT Pipe adaptor with the supplied (6) bolts and nylon lock nuts.

### Step 4: Attaching bracket to TV

Attach the upright rails to the TV/ Monitor both at equal heights with the tilt control lever to the outside of the TV. Use the supplied hardware to attach the rails to the TV. If your TV/ Monitor has recessed holes or an obstruction on the back that prevents the rail from sitting flush against the TV, install the nylon spacers between the TV/ Monitor and the mounting rail. The screws should not be over tightened nor should the screw bottom out. The mounting rails should be centered on the back of the TV.

**Warning: When extending the SL001 with the TV mounted make sure the weight does not cause the armoire or cabinet to tip forward. Attaching the unit to the wall may be required.**



**If you have any questions or concerns, please contact one of our customer service representatives.**

### Step 5: Installing the TV on the Slide Unit

First hook the TV Rails over the top of the Wall Plate and allow the hang. Next slide the locking tabs up and tighten screws. Make sure that the TV is center on the wall plate for even weight distribution.

