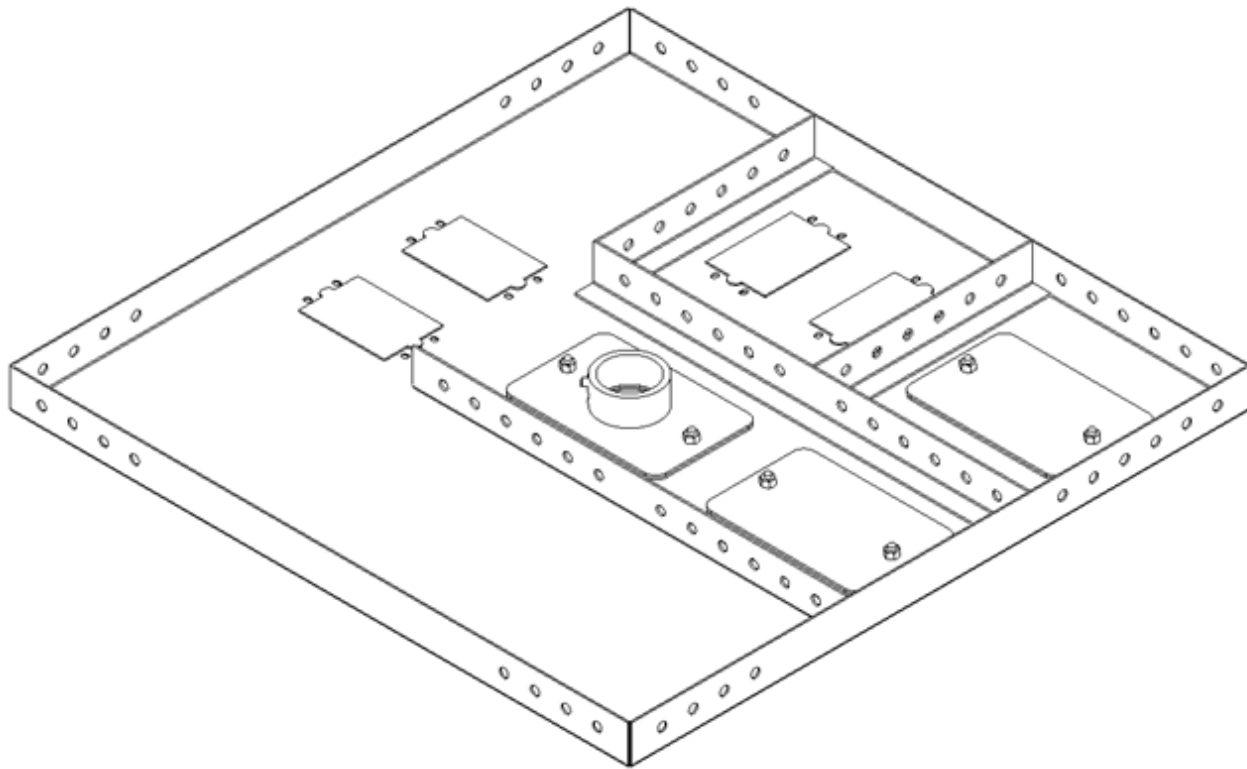


WMP

VIDEO MOUNT PRODUCTS

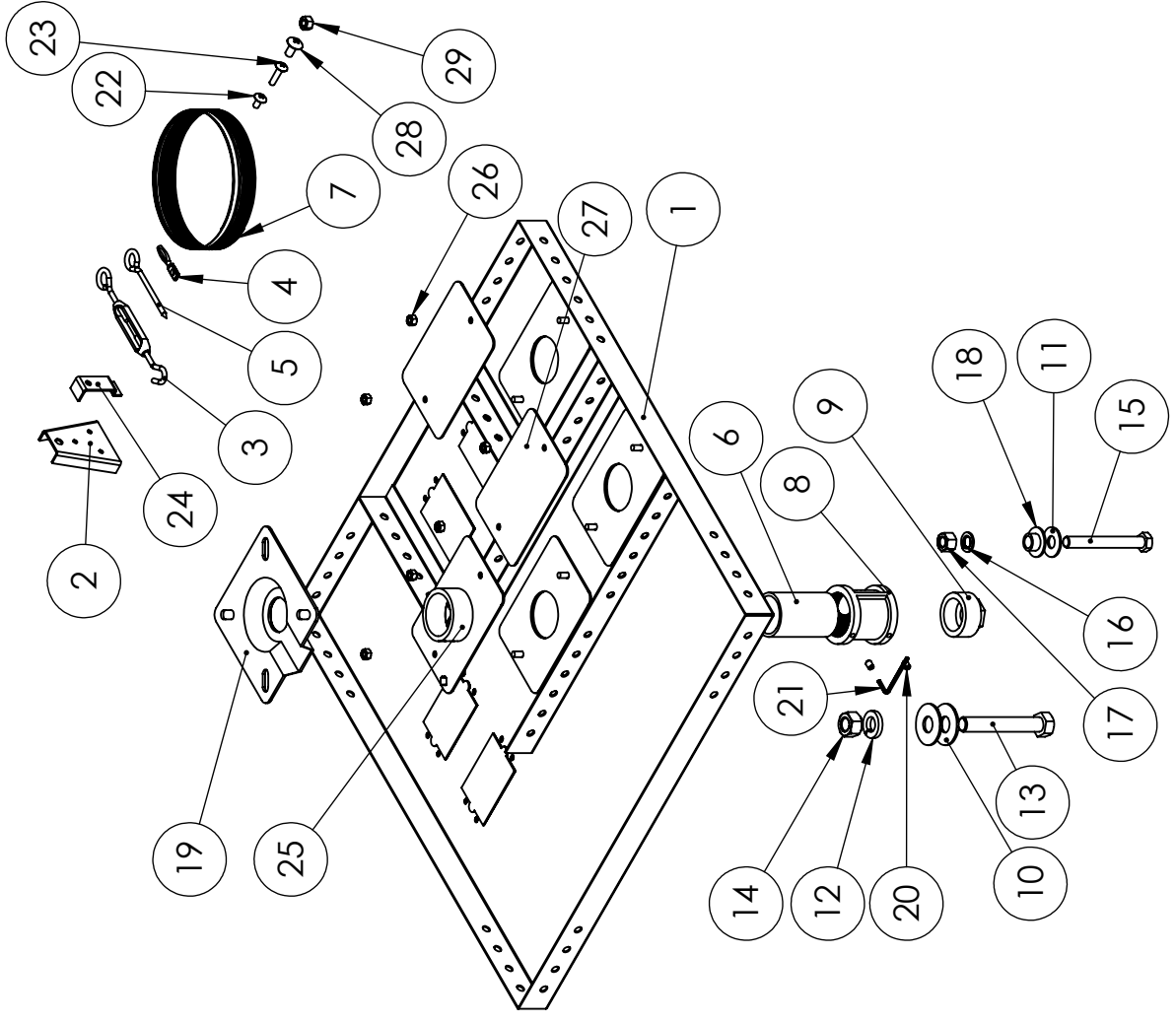
Instruction Sheet For:

SCM-2

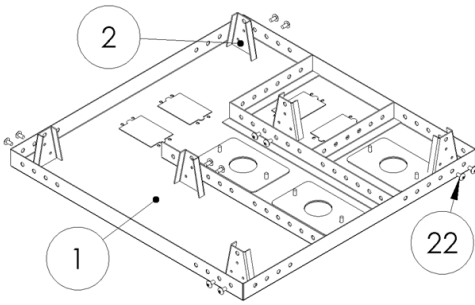


For more information, please contact us at:
345 Log Canoe Circle, Stevensville, Maryland 21666
Toll Free: 877.281.2169 Phone: 410.643.6390 Fax: 410.643.6615
www.videomount.com

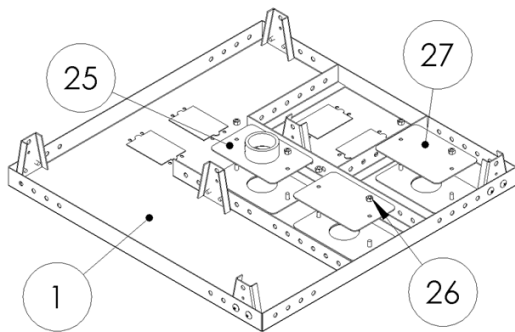
SCM-2



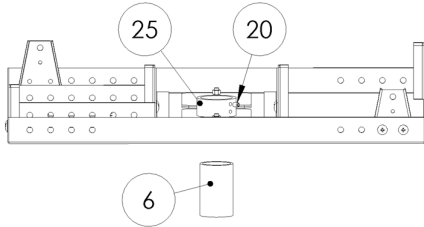
ITEM NO.	DESCRIPTION	Qty
1	Ceiling Plate	1
2	Side Anchor	6
3	Turnbuckle	6
4	Concrete Anchor	6
5	Eye Bolt	6
6	Screw 1-7/8" - 12UNC*L75	1
7	30' of 12 gauge annealed steel tie wire	1
8	Female Pipe Couple	1
9	Screw 1-7/8" - 12UNC	1
10	Washer ϕ 44.5* ϕ 17.5*T2.5	2
11	Washer ϕ 1/2*32*T2.0	1
12	Spring Washer ϕ 26.7* ϕ 16.7	1
13	Screw 5/8" - 11UNC*L102	1
14	Nut 5/8" - 11UNC	1
15	Screw M12*P1.75*L100	1
16	Spring Washer M12	1
17	Nut M12*P1.75	1
18	Metal Washer	1
19	Adaptor Plate	1
20	Brake Screw 1/4" - 20UNC*L3/8"	3
21	M3 Allen Key	1
22	Cross Screw M6*P1.0*L12	12
23	Cross Screw M6*P1.0*L25	4
24	Longer Frame Clamp	4
25	Pipe Couple	1
26	Hex Nut M6*P1.0	6
27	Cover Plate	2
28	Cross Screw M8*P1.25*L16.5	4
29	Hex Nut M8*P1.25	4



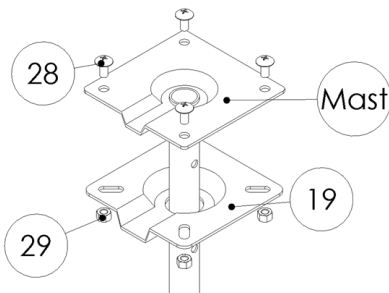
Step 2 : Attaching the side anchors to the ceiling plate



Step 3: Attaching the pipe couple to the ceiling plate



Step 4: Threading pipe into the pipe couple



Step 5: Attaching the adaptor plate to the ceiling mast

Step 1

Before starting, lay out all parts to your mount and match them to the parts list provided. Verify that you have all your parts before attempting to assemble the mount.

Step 2

First determine which of the three mounting locations you are going to mount your ceiling mount to the ceiling plate (1) (center, corner or side). Once you have decided your mounting location attach two of the side anchors (2) to the L brackets on the ceiling tray at are next to the mounting location using the shorter M6 screws (22) . Attach the remaining side anchors (2) in the corners of the ceiling plate (1) towards the inside of the plate.

Step 3

Attach the pipe couple (25) to the mounting location on the ceiling plate (1) desired using the M6 hex nuts (26) . Cover the remaining open holes using the cover plates (27) and remaining M6 hex nuts (26) .

If you are using 1.5" NPT or the near flush pipe:

Step 4

Thread the 1.5" NPT pipe or near flush pipe (6) into the bottom of the pipe couple (25) . Secure the pipe by tightening a brake screw (20) into the pipe couple (25) until the brake screw is tight against the threaded pipe. **Proceed to step 7.**

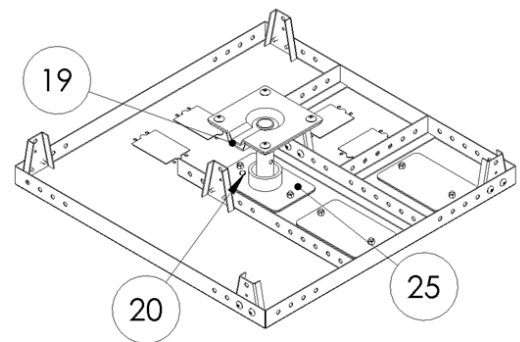
If you are using a non 1.5" NPT VMP ceiling mast:

Step 5

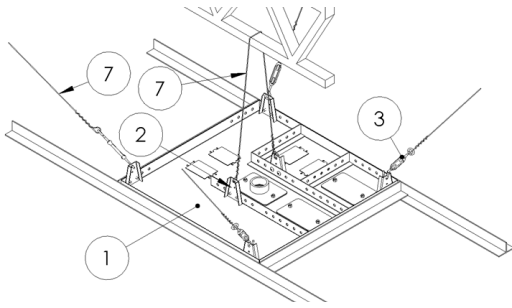
Nest the top half of the ceiling mast in the adaptor plate (19) . Attach the adaptor plate (19) and the ceiling mast using the M8 screws (28) and hex nuts (29) .

Step 6

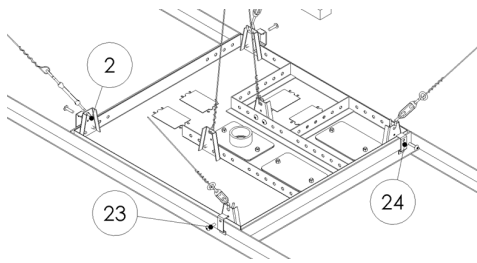
Screw the adaptor plate (19) into the top of the pipe couple (25) . Secure the adaptor plate by tightening a brake screw (20) into the pipe couple (25) until the brake screw is tight against the adaptor plate. **Follow steps 7 and 8 and then proceed to step 11.**



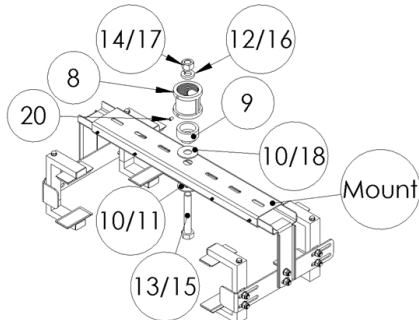
Step 6: Attaching the adaptor plate to the pipe couple



Step 7: Guide wiring the ceiling plate



Step 8: Attaching the frame clamps to the side anchors



Step 9: Attaching female pipe couple to the mount



Step 7

Place the ceiling plate (1) in the suspended ceiling T-Bars. Using the tie wire (7) provided, first guide wire the two side anchors to a support structure above the ceiling. To guide wire, insert a turnbuckle (3) into the top hole of the side anchor (2) if using the turnbuckle. Pass the tie wire (7) through the eye of the turnbuckle (3) or the top hole of the side anchor (2) and wrap the end of the tie wire **at least 4 times** around itself. Take the other end of the tie wire (7) and pass it through an anchor point in the ceiling above the ceiling plate (1) again wrapping the free end **at least 4 times** around itself. If wooden joists are above your ceiling, eye screws (5) are included to provide anchor points to guide wire to. If anchoring to a concrete ceiling, concrete anchors (6) are included to provide anchor points to guide wire to. Metal truss may also provide an anchor point to guide wire to as well. **Make sure the guide wire is supporting the entire weight of the SCM-2, mount and audio/visual equipment.** Note: If mounting to the corner or side you may want to tension the side anchors higher on the side or corner that the weight is going to be on. Note: If the distance between the ceiling grid and wherever you're attaching the tie wires is longer than 3 feet then you will require more tie wire (12 gauge steel tie wire). **WARNING: Verify whatever support structure you are anchor your guide wire to can support a minimum of twice the combined weight of the SCM-2, mount and audio/visual equipment you are mounting to it. If drilling through a surface verify that the mounting surface is safe to drill through. If in doubt or uncertain about any of the above, please contact a professional installer.**

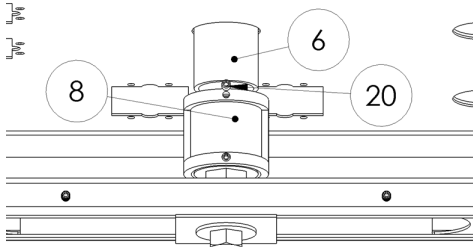
Step 8

Attach the frame clamps (24) to the side anchors (2) located in the corners of the ceiling plate (1) using the longer M6 screw (23). Make sure the frame clamps (24) are tight against the T-Bar suspended ceiling frame which the ceiling plate (1) sits in.

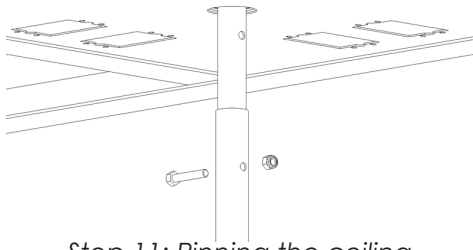
If you are using 1.5" NPT or the near flush pipe (continued):

Step 9

Determine if the mount you are attaching to requires a 1.5" NPT adaptor. If it does not then you may skip this step. If you are mounting to the LCD-2537C, PM-1, PM-2 or PM-3 attach the female pipe couple assembly (8), (9) and (20) using the large washers (10), 5/8" screw (13), lock washer (12) and hex nuts (14). If you are mounting to the LCD-1C, LCD-1C with LCD-CM2 or VMP-046/048 attach the female pipe couple assembly (8), (9) and (20) using the plastic bushing (18), smaller washer (11), M12 screw (15), lock washer (16) and hex nuts (17).



Step 10: Securing the female pipe couple to the pipe



Step 11: Pinning the ceiling mast together

Step 10

Screw the female pipe couple (8) or the pipe couple provided with your mount) onto the near flush pipe (6) or 1.5" NPT pipe. Secure the female pipe couple (8) or the pipe couple provided with your mount) by tightening the brake screw (20) or the brake screw provided with your mount) until the brake screw is tight against the threaded pipe. **Please verify that all nuts and screws are securely tightened.**

If you are using a non 1.5" NPT VMP ceiling mast (continued):

Step 11

Attach the mount by through pinning the bottom have of the ceiling mast to the top half of the ceiling mast using the screw and nylon nut provided with your mount. **Please verify that all nuts and screws are securely tightened.**

VMP
VIDEO MOUNT PRODUCTS

Enjoy Your Mount!

WARNING: The installer of these products must verify that the mounting surface, ceiling or wall, will safely support the combined weight of all attached equipment and hardware. Video Mount Products will not be held liable for the improper use or installation of its products.