

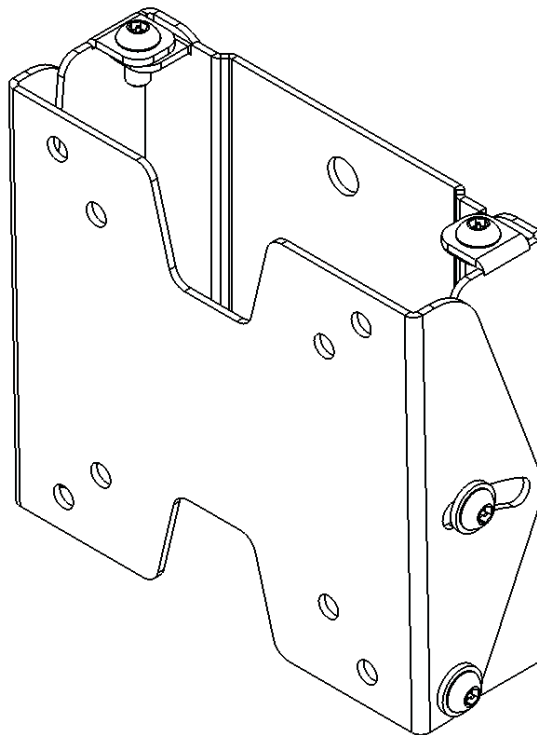
# **WMP**

VIDEO MOUNT PRODUCTS

*Instruction Sheet For:*

## **FP-SFT & FP-SFTB**

---

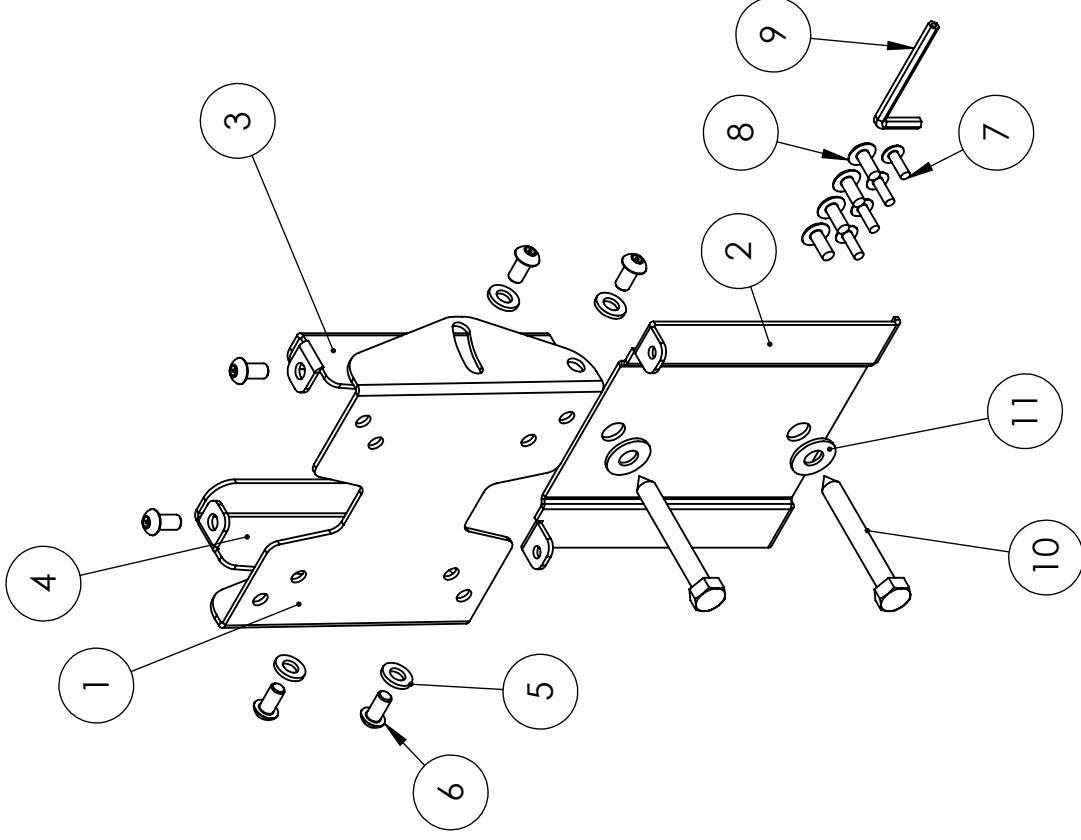


---

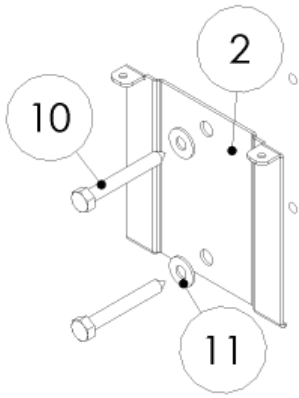
*For more information, please contact us at:*  
345 Log Canoe Circle, Stevensville, Maryland 21666  
Toll Free: 877.281.2169 Phone: 410.643.6390 Fax: 410.643.6615  
[www.videomount.com](http://www.videomount.com)

# FP-SFT

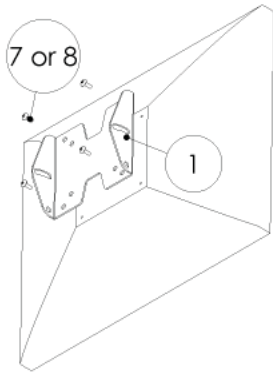
ITEM NO.	DESCRIPTION	QTY.
1	Mounting Plate	1
2	Wall Plate	1
3	Left Side Wall	1
4	Right Side Wall	1
5	Nylon Washer $\phi$ 6.5* $\phi$ 13*T1.35	4
6	Security Screw M6*P1.0*L12	6
7	Screw M4*P0.7*L12	4
8	Screw M5*P0.8*L12	4
9	Allen Key	1
10	Lag Screw 5/16"*L2.5"	2
11	Washer $\phi$ 8.3* $\phi$ 19*T1.6	2



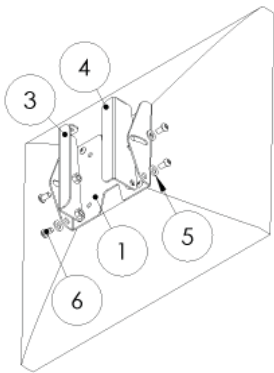
**VMP**  
VIDEO MOUNT PRODUCTS



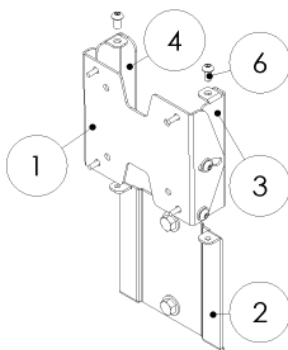
Step 2: Attaching wall plate to the wall



Step 3: Attaching flat panel to mounting plate



Step 4: Attaching the left and right side walls



Step 5: Securing the tilt mechanism to the wall plate (LCD not shown for clarity)

### Step 1

Before starting, lay out all parts to your mount and match them to the parts list provided. Verify that you have all your parts before attempting to assemble the mount.

### Step 2

Mark the wall or desired mounting surface in preparation of installation of wall plate (2). If mounting to wooden studs, pre drill pilot holes using a 7/32" drill bit. Attach the wall plate (2) to the wooden stud using the 5/16" by 2.5" long lag screw (10) and washer (11) making sure the tabs with the thread holes on the wall plate are at the top of the wall plate. **WARNING: Please verify that your mounting surface will support the combined weight of your mount, mounting hardware, and flat panel. Also verify that the mounting surface is safe to drill through. Please note only mounting hardware for mounting to wooden studs will be provided with the unit. If mounting to a surface other than wooden studs then other hardware will be required. If in doubt or uncertain about any of the above, please contact a professional installer.**

### Step 3

Attach the mounting plate (1) to the back of the monitor using the M4 (7) or M5 (8) screws provided with the FP-SFT.

### Step 4

Attach the left side wall (3) to the mounting plate (1) using the nylon washers (5) and security screws (6). Do the same for the right side wall (4).

### Step 5

Slide the left (3) and right (4) side walls behind the wall plate (2). Secure the side walls (3) and (4) to the wall plate (2) using the security screws (6). To adjust the tilt tension simply tighten or loosen the security screws located in the arcs of the mounting plate (1) using the allen key (9).

*Please verify that all nuts and screws are securely tightened.*



## Enjoy Your Mount!

**WARNING: The installer of these products must verify that the mount surface, ceiling or wall, will safely support the combined weight of all attached equipment and hardware. Video Mount Products will not be held liable for the improper use or installation of its products.**