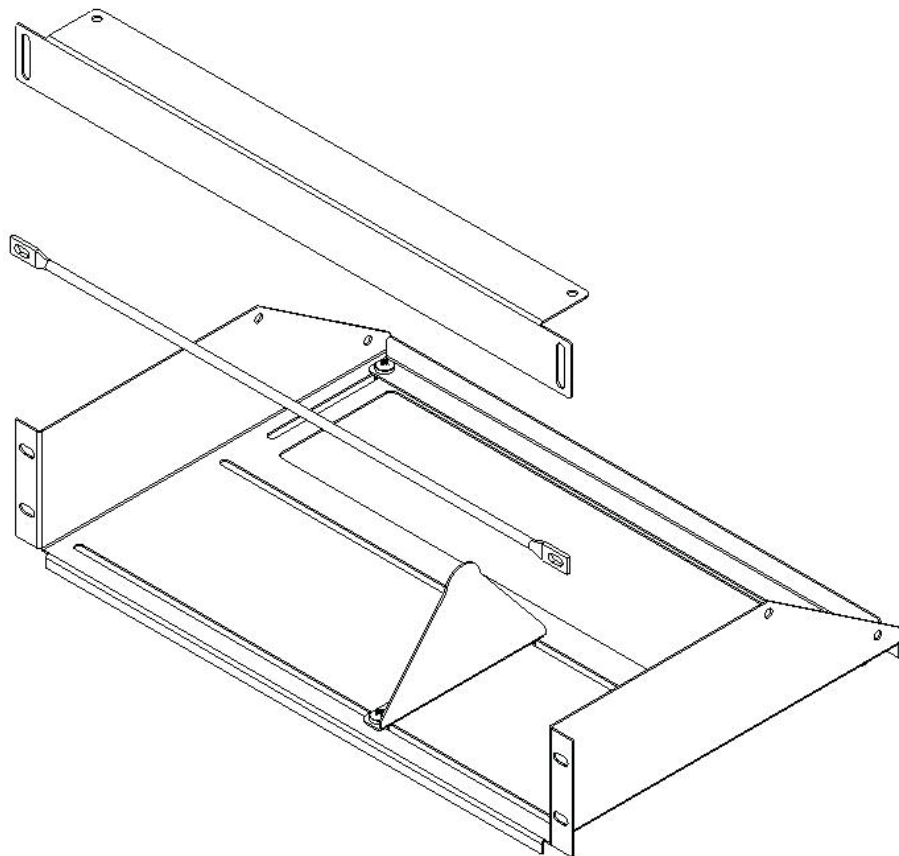


WMP

VIDEO MOUNT PRODUCTS

Instruction Sheet For:

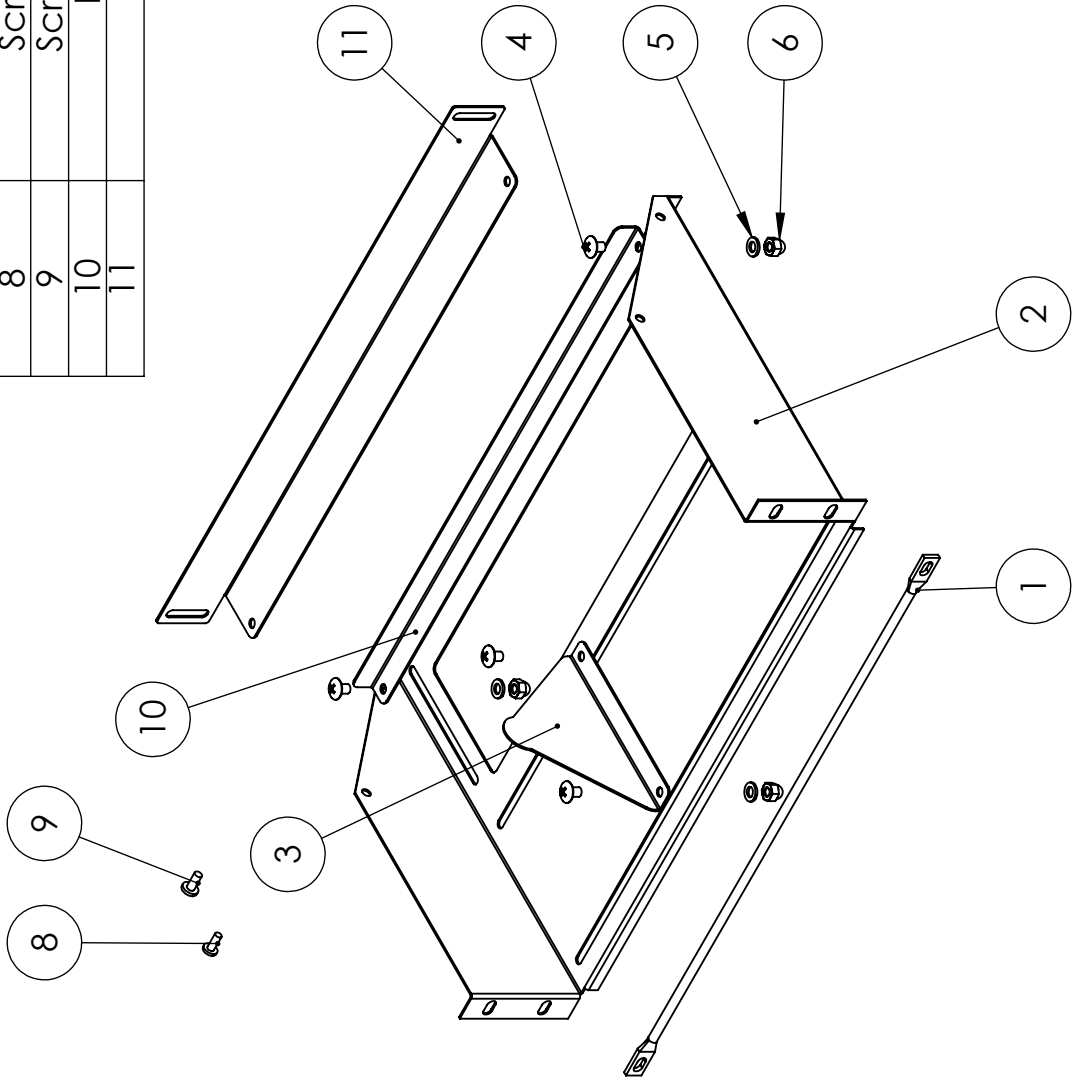
ER-8RSA

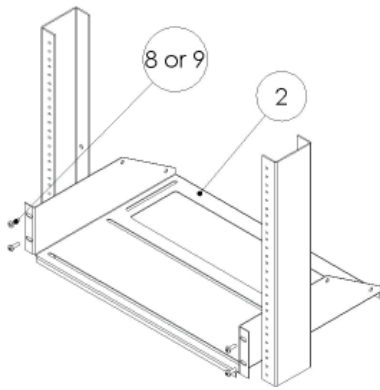


For more information, please contact us at:
345 Log Canoe Circle, Stevensville, Maryland 21666
Toll Free: 877.281.2169 Phone: 410.643.6390 Fax: 410.643.6615
www.videomount.com

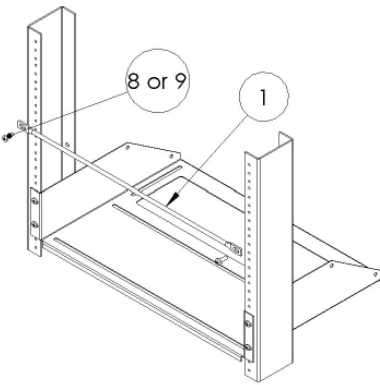
ER-8RSA

ITEM NO.	DESCRIPTION	QTY.
1	Roll Bar	1
2	Shelf	1
3	Triangle Plate	7
4	Cross Screw 1/4" - 20UNC*L3/8"	16
5	Washer ϕ 1/4"* ϕ 13*T1.6	16
6	Acorn Nut 1/4" - 20UNC	16
8	Screw #10-32UNF	8
9	Screw #12-24UNC	8
10	Rear Roll Bar	1
11	Top Roll Bar	1

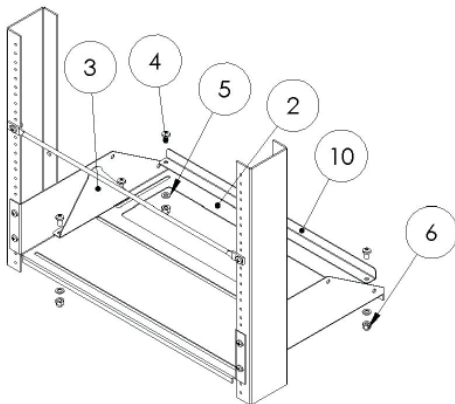




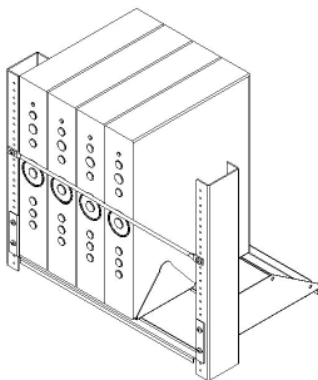
Step 2: Putting up the shelf



Step 3: Putting up the lower roll bar



Step 4: Attaching the triangle plates



Step 5: Putting in the receivers

Step 1

Before starting, lay out all parts to your shelf and match them to the parts list provided. Verify that you have all your parts before attempting to assemble the shelf.

Step 2

Attach the main shelf (2) to the rack rails using either the #10 screws (8) or #12 screws (9) as appropriate for your rack. (For VMP racks you would use the #10 screws (8) .

Step 3

Put up the lower roll bar (1) using either the #10 screws (8) or #12 screws (9) .

Step 4

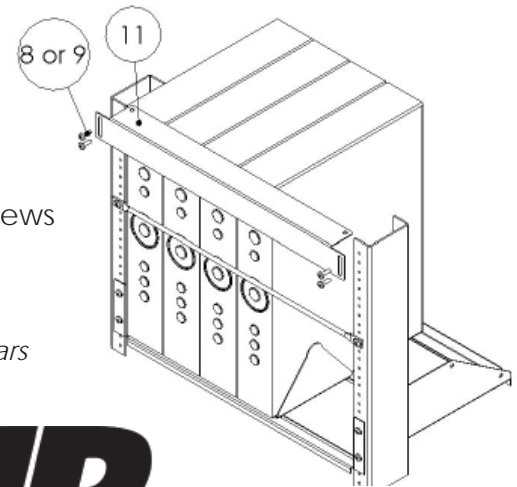
Attach the triangle plate (3) to the main shelf (2) using the M6 screws (4) , washers (5) and (6) acorn nuts . Attach the rear roll bar (10) using the M6 screws (4) , washers (5) and acorn nuts (6) .

Step 5

Place the satellite receiver so the receiver is on its side. Pin the receiver against one of the rack rails using the triangle plate (3) so the receiver is held upright. Tighten down the acorn nuts (6) on the triangle plate (3) to secure position. Repeat this for receiver you want to put on the shelf. When you have finish placing receivers on the shelf then push the rear roll bar (10) so it is snug against the back of the deepest receiver. Tighten down the acorn nuts (6) on the rear roll bar to secure position.

Step 6

Place the top roll bar (11) so it is resting on the top of the tallest receivers and secure it to the rails using the #10 screws (8) or #12 screws (9) as appropriate.



Step 6: Putting in the top roll bars

VMP
VIDEO MOUNT PRODUCTS

Enjoy Your Shelf!

WARNING: The installer of these products must verify that the mount surface, ceiling or wall, will safely support the combined weight of all attached equipment and hardware. Video Mount Products will not be held liable for the improper use or installation of its products.