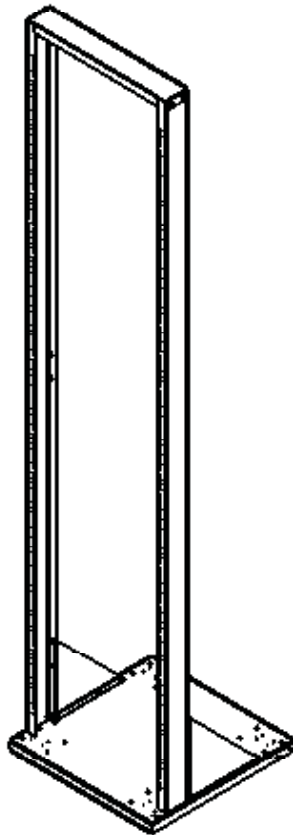


WMP

VIDEO MOUNT PRODUCTS

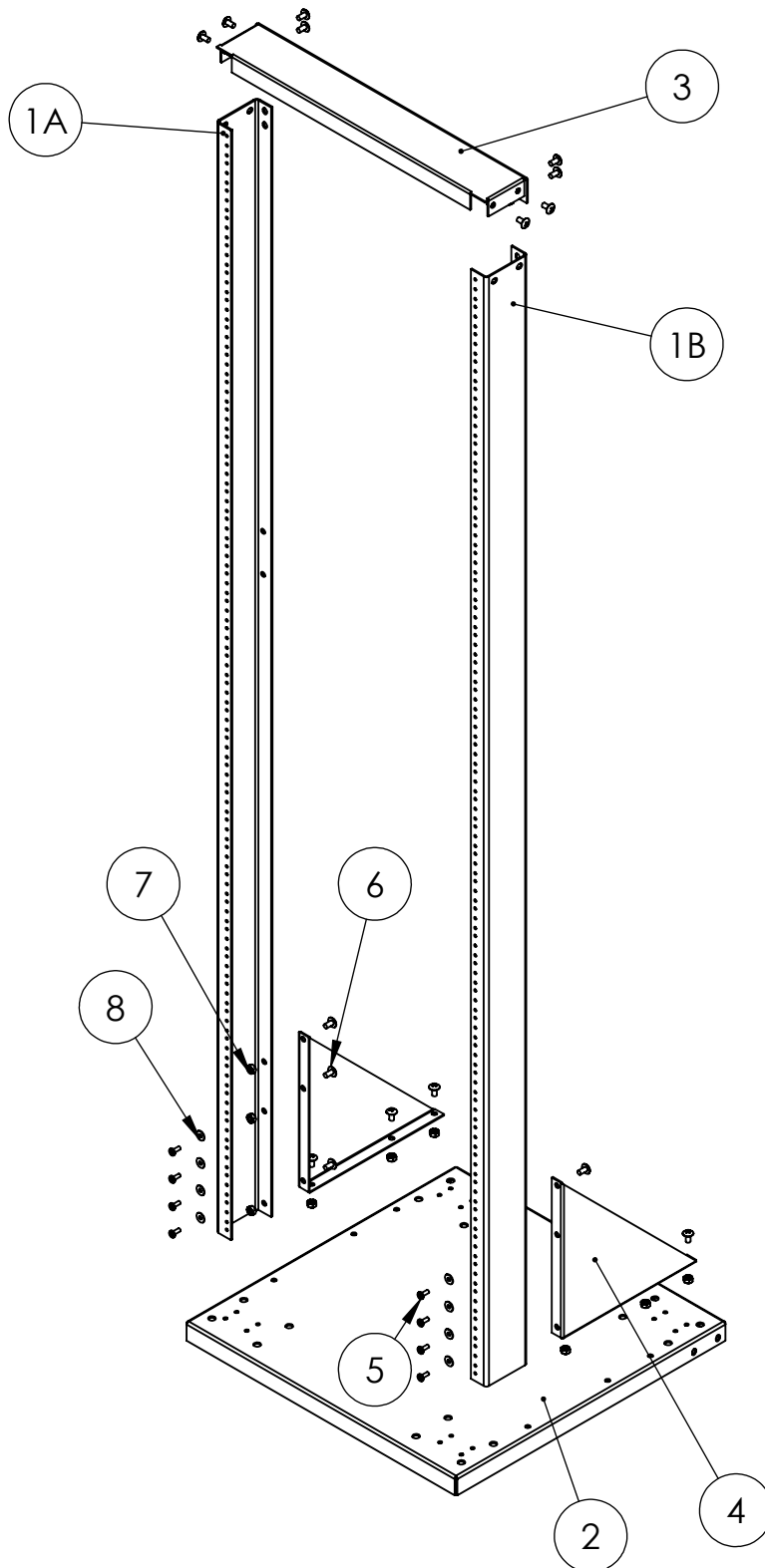
Instruction Sheet For:

ER-1, ER-148, ER-184

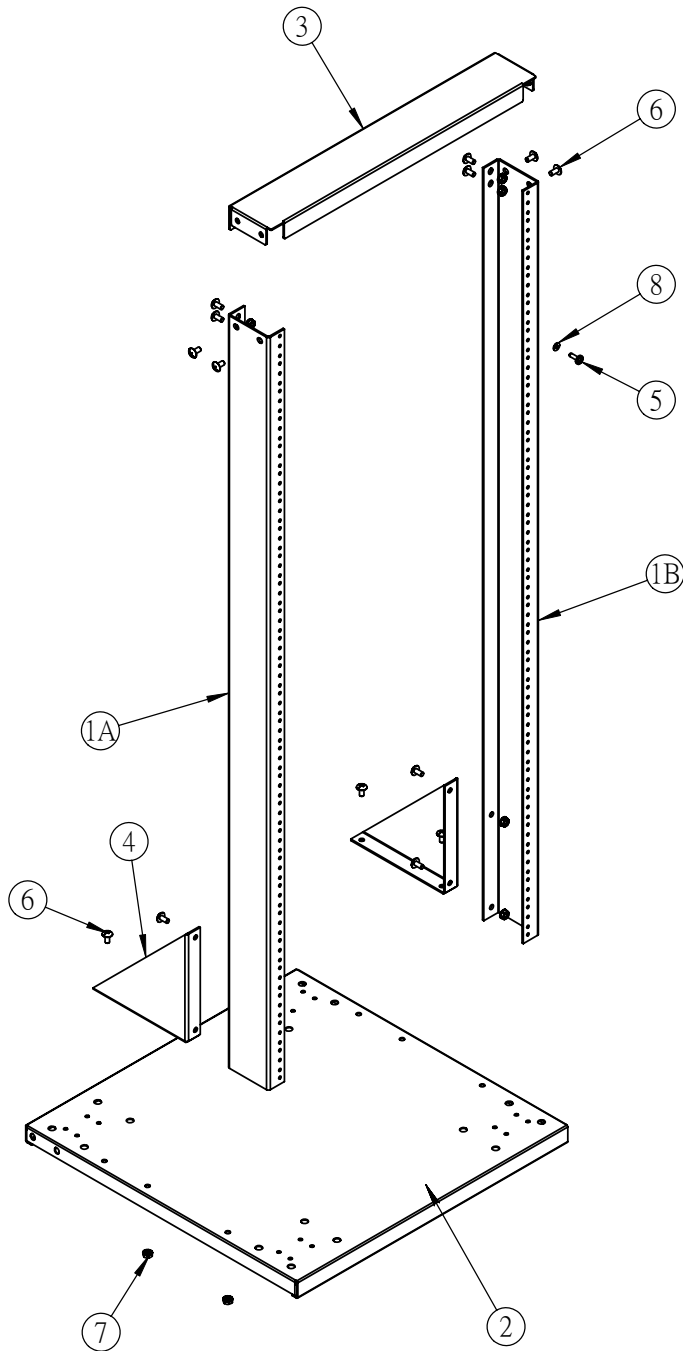


For more information, please contact us at:
345 Log Canoe Circle, Stevensville, Maryland 21666
Toll Free: 877.281.2169 Phone: 410.643.6390 Fax: 410.643.6615
www.videomount.com

ER-1



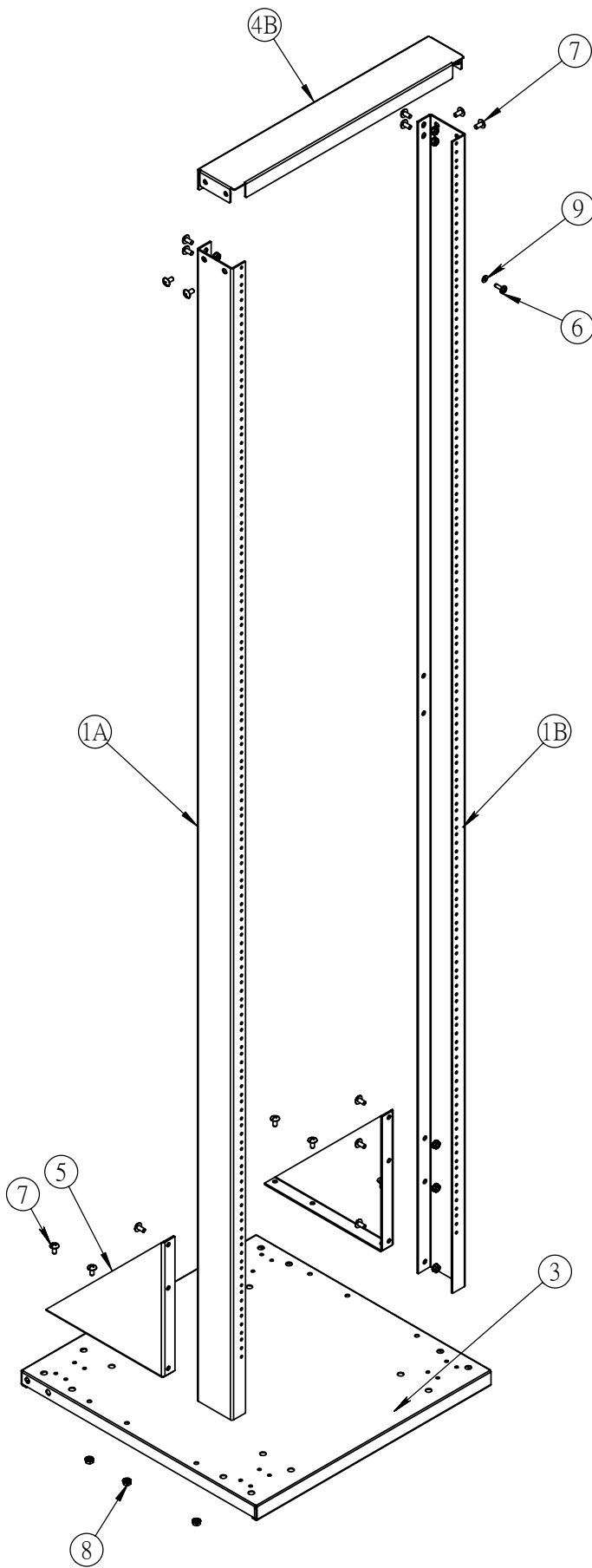
ITEM NO.	DESCRIPTION	QTY.
1A	Left Support	1
1B	Right Support	1
2	Plate	1
3	Support Plate	1
4	Triangle Plate	2
5	Screw #10 - 32UNC	32
6	Screw 1/4" - 20UNC*L1/2"	20
7	Nut 1/4" - 20UNC	16
8	Plastic Washer	32



*** ER-148 ***

NO.	Part Name	QTY.
1A	Left Support	1
1B	Right Support	1
2	Base Plate	1
3	Top Plate	1
4	Triangle Plate	2
5	Screw 10#-32UNFx5/8"	32
6	Cross Screw 1/4"-20UNCx1/2"	16
7	Nut 1/4"-20UNC	12
8	Plastic Washer $\phi 4.6 \times \phi 11.2 \times T0.8$	32

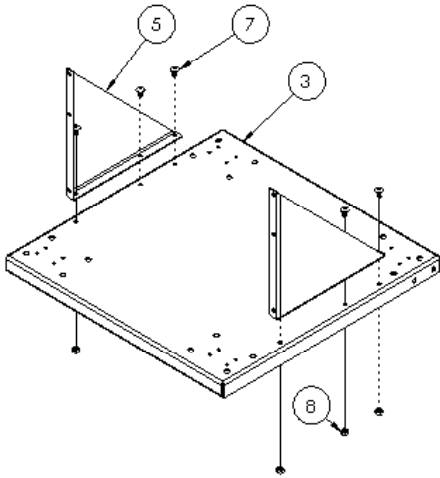
VMP
VIDEO MOUNT PRODUCTS



*** ER-184 ***

NO.	PART NAME	QTY.
1A	Left Support	1
1B	Right Support	1
3	Base Plate	1
4B	Top Plate	1
5	Triangle Plate	2
6	Screw 10#-32UNFx1/2"	32
7	Cross Screw 1/4"-20UNCx1/2"	20
8	Nut 1/4"-20UNC	16
9	Plastic Washer $\phi 4.6x \phi 11.2xT0.8$	32

VMP
VIDEO MOUNT PRODUCTS



Step 2: Attaching the triangle plates

Step 1

Before starting lay out all parts to your mount and match them to the parts list provided. Verify that you have all your parts before attempting to assemble the mount.

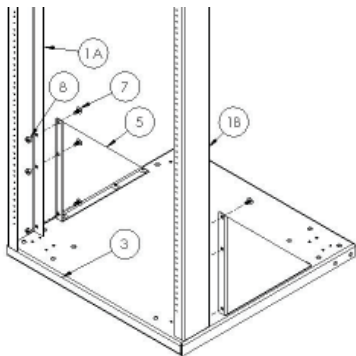
Note: For the example images the ER-184 is shown.

Step 2

Attach the triangle plates (4) for ER-1 and ER-148, (5) for ER-184 to the base plate (2) for ER-1 and ER-148, (3) for ER-184 using 1/4" – 20 screws (6) for ER-1 and ER-148, (7) for ER-184 and nuts (7) for ER-1 and ER-148, (8) for ER-184.

Step 3

Attach the left (1A) and right (1B) supports to the triangle plates (4) for ER-1 and ER-148, (5) for ER-184 using 1/4" – 20 screws (6) for ER-1 and ER-148, (7) for ER-184 and nuts (7) for ER-1 and ER-148, (8) for ER-184.

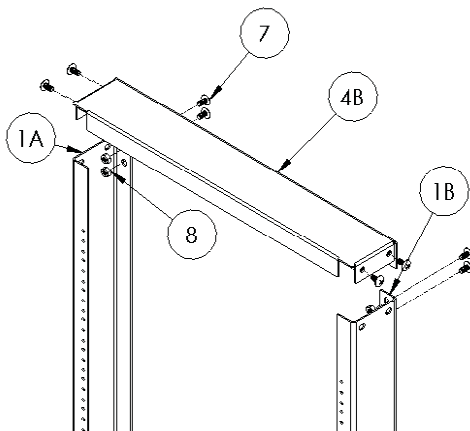


Step 3 : Attaching the left and right supports

Step 4

Attach the support plate (3) for ER-1 and ER-148, (4B) for ER-184 to the left (1A) and right (1B) supports using 1/4" – 20 screws (6) for ER-1 and ER-148, (7) for ER-184 and nuts (7) for ER-1 and ER-148, (8) for ER-184.

Please verify that all nuts and screws are securely tightened.



Step 4 : Attaching the support plate

Enjoy Your Mount!

WARNING: The installer of these products must verify that the mounting surface, ceiling or wall, will safely support the combined weight of all attached equipment and hardware. Video Mount products will not be held liable for the improper use or installation of its products.

