

Instructions - Ceiling Mount With 90 Degree Tilt **DD**

WARNING! SEVERE PERSONAL INJURY AND PROPERTY DAMAGE CAN RESULT FROM IMPROPER INSTALLATION OR ASSEMBLY. READ THE FOLLOWING WARNINGS BEFORE BEGINNING.

If you do not understand the instructions or have any concerns or questions, please contact a qualified installer

Do not install or assemble if the product or hardware is damaged or missing. If you require replacement parts, contact your distributor for assistance.

For safe installation, the ceiling you are mounting to must support 4 times the weight of the total load. If not, the surface must be reinforced to meet this standard. The installer is responsible for verifying that the ceiling structure/surface and the anchors used in the installation will safely support the total load. For Ceiling mounted products, professional installation is highly recommended.

Do not use this product for any application other than those specified by the instructions.

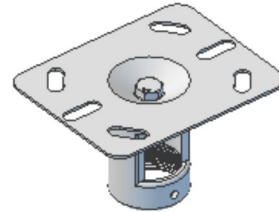
This product may contain moving parts. Use with caution.

DO NOT EXCEED THE MAXIMUM WEIGHT CAPACITY FOR THIS PRODUCT.

1. Find stud(s) and mark edge and center locations.



2. For wood structure: Locate location lag bolts will be installed and pre drill holes for 5/16 Lag bolts(not included) with 15/64 drill bit.



If you ordered an optional ceiling plate or adapter this step may be different. If you are not attaching to wood structure this step will be different and we recommend you consult with a professional installer.

3. Use a ratchet and socket to install lag bolts into wood securing ceiling plate to ceiling.
4. Thread either piece of the adjustable mast into the ceiling plate. Please note this mount uses tapered threads on the ceiling mast which will only allow the mast to thread in about three turns. It will NOT thread all the way in, ever.

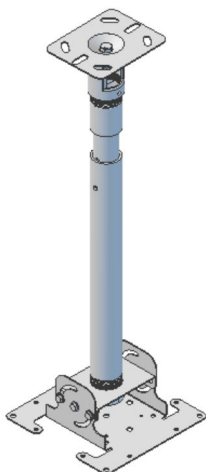


5. Run your cables down through the ceiling plate and mast at this point.
6. Route the cables through the other section of adjustable mast and combine the two sections of tubing. Adjust the length of the mast and insert the bolt

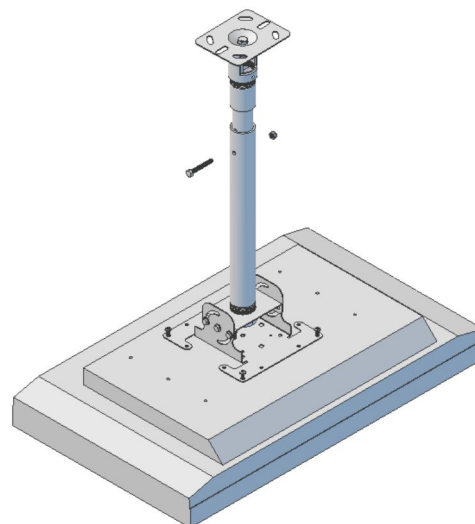
through the mast and secure with the Nylon Locking Nut.



7. Continue routing cables through mounting head. Thread the TV Mounting Head on the end of the mast.



8. Have a helper hold the TV while you secure the TV to the mount using the provided hardware.



9. There are set screws and a hex wrench provided to secure the mast to the ceiling plate and the mounting head. You will find small threaded holes in the side of the area where the mast threads in. These set screws tighten into the threads on the mast and slightly deform the thread, making it nearly impossible to remove the mast. This is an additional safety feature and you don't want to install these set screws until you are positive you will not need to remove the mast again.