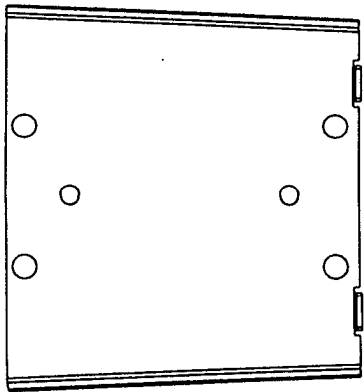


# Quick Mount LCD Monitor / TV Kit

Wall Plate

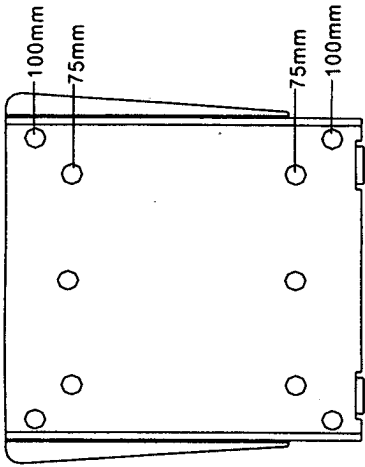


Use the 2 1/4" wood screws, mount the wall plate to wall stud or use enclosed sheet rock mollies



Note: Bracket is intended for use on LCD monitors up to 66lbs

LCD TV / Monitor Plate



Use the 1/2" bolts, mount the monitor plate to back of monitor, (Note corners holes to accommodate both 75mm or 100mm VESA systems)

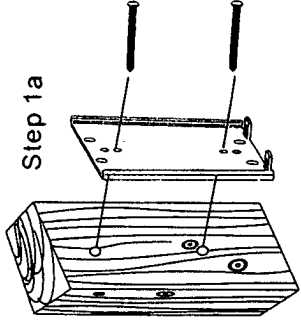


Use the 1/4" bolts to lock and secure your monitor in place



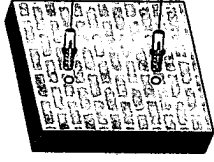
VESA® is a registered Trademark of the Video Electronics Standards Association

# AS Easy as 1,2,3!



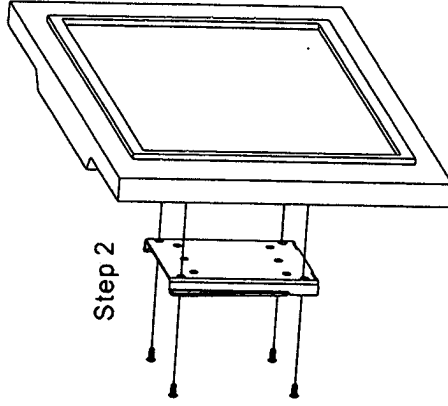
Step 1a

Using the 2 1/4" wood screws, mount the wall plate to **wall stud**



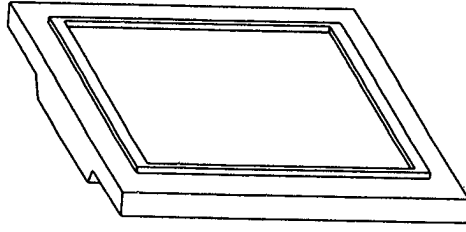
Step 1b

Using the 1/4" locking bolts, mount the monitor plate to **wall**



Step 2

Using the 1/2" bolts, mount the monitor plate to back monitor, Depending on your monitor, Use the 75mm or 100mm pre-drilled holes



Step 3

Simply slip your monitor onto your wall mount, and secure with 1/4" locking bolts from below, and you are finished! Enjoy!

VESA® is a registered Trademark of the Video Electronics Standards Association

**Front**

**Back**

